

perma PRO LINE / perma PRO C LINE

Precise Lubrication Systems for linear guides



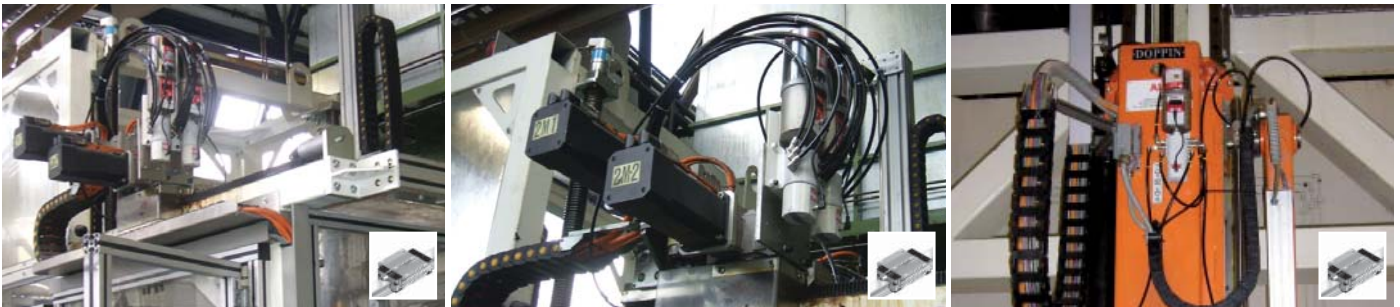
The flexible multi-point lubrication system for 1 to 6 lubrication points

perma PRO LINE is a special multi-point lubrication system for linear guides. The lubricant discharge can be exactly adapted to manufacturer specifications. The PRO LC is available in two sizes (250 cm³ / 500 cm³) and supplies lubrication points with lubricant for up to 2 years. The high pressure build-up enables remote mounting with tube extensions of up to 5 m (per outlet). Remote mounting not only increases workplace safety, but also makes it possible to lubricate linear guides while they are in operation.

Applications



Main applications for the multi-point lubrication systems perma PRO LINE and perma PRO C LINE are linear guides. Application fields range from the automotive industry to steel and paper industry. Other applications are roller and sliding bearings, open gears and spindles.



Product characteristics

Benefits



Flexible setting options:
Lubricant amount per outlet /
pause time per outlet

- Lubricant amount for each outlet can be configured individually – different amounts per outlet possible with one system
- Individual setting of pause time in between discharges for each outlet



Settings via push button
Display shows:
Remaining discharge time
Active outlets
LED red / green indicates
function

- Simple operation
- Quick inspection saves time and simplifies planning of PRO LC exchange
- Operating status displayed



Additional discharge

- Additional lubricant discharges can be triggered for all outlets during pause times
- Peak loads can be compensated
- Lubrication point can be purged (e.g. to add fresh lubricant after long system downtimes)

Technical data

Drive – reusable
PRO LINE: Battery operated
PRO C LINE: External power supply
15–30 V | 120 mA

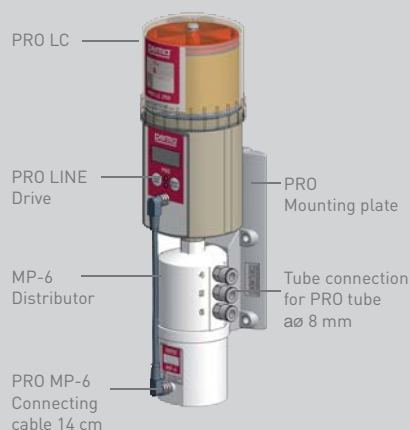
Discharge periods - settings
Pause time in days (24 h)
Discharges for each outlet

Lubricant volume
250 cm³ or 500 cm³

Operating temperature
-20 °C to +60 °C

Pressure build-up
Max. 25 bar
< 5 meter tube extension / outlet

Lubricants
Grease up to NLGI 2



3 steps to your perma PRO System:

- ① **PRO LINE or PRO C LINE Basic system**
- ② **PRO KIT Accessories**
- ③ **PRO LC size and grease PRO Cover for LC**

The grease for pre-filling tube extensions must be the same grease as in the PRO LC.