



**NÖLLE +
NORDHORN**



EXPERIENCE...SERVICE...COMPETENCE...

...PERFECTION IN PRODUCTS AND SERVICE...

NN-010 Metal-plastic-composite St + sintered bronze + PTFE + Pb

Typical features

- Self-lubricating sliding material with very good wear and friction properties over a wide range of different loads, sliding speeds and temperatures
- Highly effective even with lubrication
- Large range of dimensions available from stock

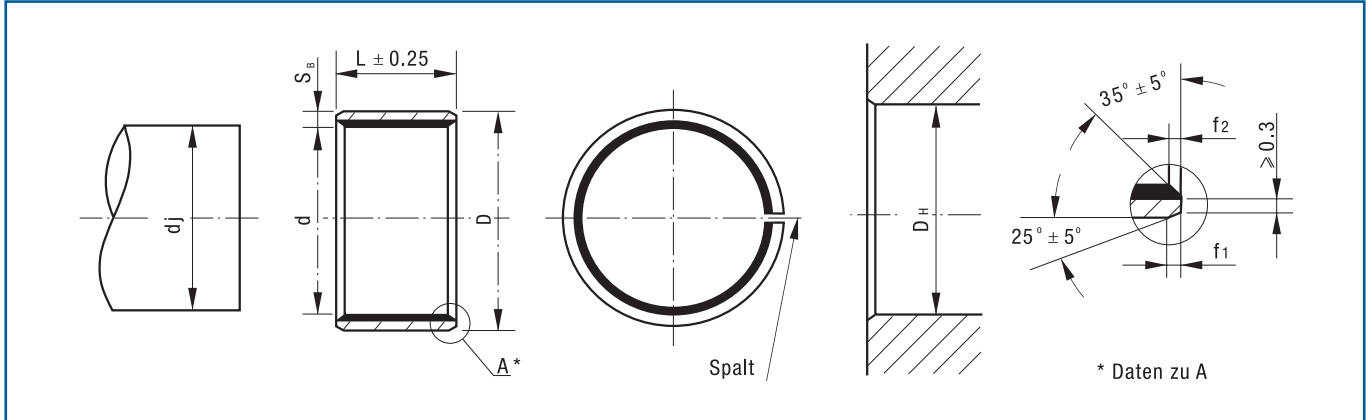


Technical data

	static	250 N/mm ²	Temperature	-200°C - +280°C
Max. load	dynamic	140 N/mm ²	Friction coefficient	0,02 ~ 0,20
Max. speed	dry	2,5 m/s	Heat conductivity	42 W/m * k
Max. PV value	short-term use	3,0 N/mm ² * m/s	Coefficient of thermal expansion	11*10 ⁻⁶ /K



NN-010 Bushes, cylindrical, self-lubricating, with steel back



Technical data Dimensions

	d	D	L
NN-010-0203	2	3,5	3
NN-010-0205	2	3,5	5
NN-010-0303	3	4,5	3
NN-010-0305	3	4,5	5
NN-010-0306	3	4,5	6
NN-010-0403	4	5,5	3
NN-010-0404	4	5,5	4
NN-010-0406	4	5,5	6
NN-010-0410	4	5,5	10
NN-010-0505	5	7	5
NN-010-0508	5	7	8
NN-010-0510	5	7	10
NN-010-0604	6	8	4
NN-010-0606	6	8	6
NN-010-0608	6	8	8
NN-010-0610	6	8	10
NN-010-0710	7	9	10
NN-010-0806	8	10	6
NN-010-0808	8	10	8
NN-010-0810	8	10	10
NN-010-0812	8	10	12
NN-010-1008	10	12	8
NN-010-1010	10	12	10
NN-010-1015	10	12	15
NN-010-1020	10	12	20
NN-010-1208	12	14	8
NN-010-1210	12	14	10
NN-010-1212	12	14	12
NN-010-1215	12	14	15
NN-010-1220	12	14	20
NN-010-1225	12	14	25
NN-010-1310	13	15	10
NN-010-1320	13	15	20

	d	D	L
NN-010-1405	14	16	5
NN-010-1410	14	16	10
NN-010-1412	14	16	12
NN-010-1415	14	16	15
NN-010-1420	14	16	20
NN-010-1425	14	16	25
NN-010-1510	15	17	10
NN-010-1512	15	17	12
NN-010-1515	15	17	15
NN-010-1520	15	17	20
NN-010-1525	15	17	25
NN-010-1610	16	18	10
NN-010-1612	16	18	12
NN-010-1615	16	18	15
NN-010-1620	16	18	20
NN-010-1625	16	18	25
NN-010-1712	17	19	12
NN-010-1720	17	19	20
NN-010-1810	18	20	10
NN-010-1815	18	20	15
NN-010-1820	18	20	20
NN-010-1825	18	20	25
NN-010-2010	20	23	10
NN-010-2015	20	23	15
NN-010-2020	20	23	20
NN-010-2025	20	23	25
NN-010-2030	20	23	30
NN-010-2215	22	25	15
NN-010-2220	22	25	20
NN-010-2225	22	25	25
NN-010-2230	22	25	30
NN-010-2415	24	27	15
NN-010-2420	24	27	20

	d	D	L
NN-010-2425	24	27	25
NN-010-2430	24	27	30
NN-010-2515	25	28	15
NN-010-2520	25	28	20
NN-010-2525	25	28	25
NN-010-2530	25	28	30
NN-010-2540	25	28	40
NN-010-2550	25	28	50
NN-010-2815	28	32	15
NN-010-2820	28	32	20
NN-010-2825	28	32	25
NN-010-2830	28	32	30
NN-010-3010	30	34	10
NN-010-3015	30	34	15
NN-010-3020	30	34	20
NN-010-3025	30	34	25
NN-010-3030	30	34	30
NN-010-3040	30	34	40
NN-010-3220	32	36	20
NN-010-3230	32	36	30
NN-010-3240	32	36	40
NN-010-3520	35	39	20
NN-010-3530	35	39	30
NN-010-3535	35	39	35
NN-010-3540	35	39	40
NN-010-3550	35	39	50
NN-010-3720	37	41	20
NN-010-4020	40	44	20
NN-010-4030	40	44	30
NN-010-4040	40	44	40
NN-010-4050	40	44	50
NN-010-4520	45	50	20
NN-010-4530	45	50	30

Bushes, self-lubricating, with steel back

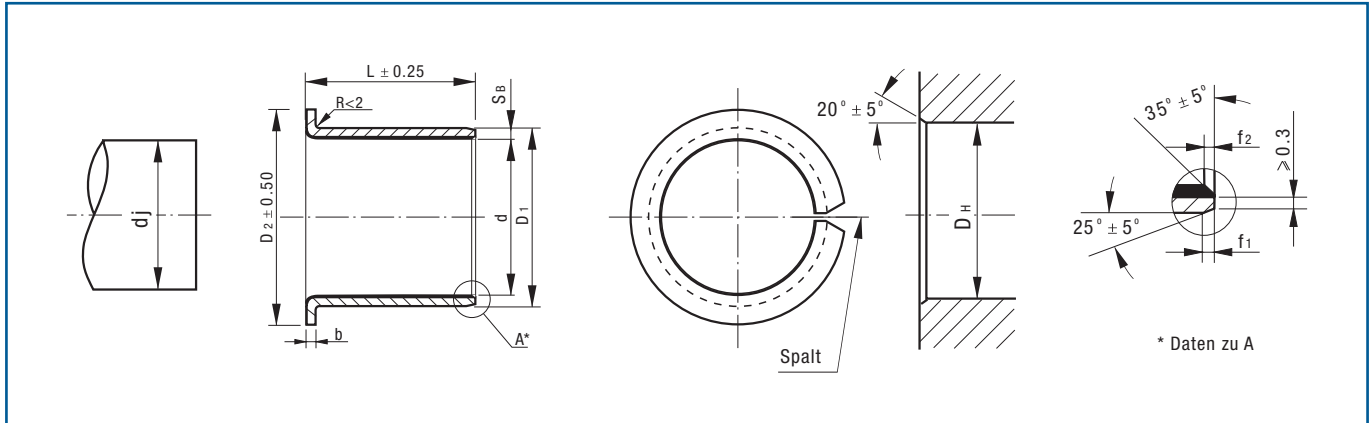
	d	D	L
NN-010-4540	45	50	40
NN-010-4550	45	50	50
NN-010-5020	50	55	20
NN-010-5030	50	55	30
NN-010-5040	50	55	40
NN-010-5050	50	55	50
NN-010-5060	50	55	60
NN-010-5520	55	60	20
NN-010-5525	55	60	25
NN-010-5530	55	60	30
NN-010-5540	55	60	40
NN-010-5550	55	60	50
NN-010-5555	55	60	55
NN-010-5560	55	60	60
NN-010-6020	60	65	20
NN-010-6030	60	65	30
NN-010-6040	60	65	40
NN-010-6050	60	65	50
NN-010-6060	60	65	60
NN-010-6070	60	65	70
NN-010-6530	65	70	30
NN-010-6550	65	70	50
NN-010-6570	65	70	70
NN-010-7040	70	75	40

	d	D	L
NN-010-7050	70	75	50
NN-010-7070	70	75	70
NN-010-7550	75	80	50
NN-010-7560	75	80	60
NN-010-7580	75	80	80
NN-010-8060	80	85	60
NN-010-80100	80	85	100
NN-010-8530	85	90	30
NN-010-8560	85	90	60
NN-010-85100	85	90	100
NN-010-9060	90	95	60
NN-010-90100	90	95	100
NN-010-9560	95	100	60
NN-010-95100	95	100	100
NN-010-10050	100	105	50
NN-010-10060	100	105	60
NN-010-100115	100	105	115
NN-010-10560	105	110	60
NN-010-105115	105	110	115
NN-010-11060	110	115	60
NN-010-110115	110	115	115
NN-010-11550	115	120	50
NN-010-11570	115	120	70
NN-010-12050	120	125	50

	d	D	L
NN-010-12060	120	125	60
NN-010-120100	120	125	100
NN-010-120120	120	125	120
NN-010-125100	125	130	100
NN-010-13060	130	135	60
NN-010-130100	130	135	100
NN-010-13560	135	140	60
NN-010-13580	135	140	80
NN-010-14060	140	145	60
NN-010-140100	140	145	100
NN-010-140120	140	145	120
NN-010-15060	150	155	60
NN-010-15080	150	155	80
NN-010-150100	150	155	100
NN-010-16080	160	165	80
NN-010-160100	160	165	100
NN-010-18080	180	185	80
NN-010-180100	180	185	100
NN-010-200100	200	205	100
NN-010-210100	210	215	100
NN-010-220100	220	225	100
NN-010-250100	250	255	100
NN-010-28080	280	285	80
NN-010-300100	300	305	100



NN-010 F Bushes, self-lubricating, with steel back

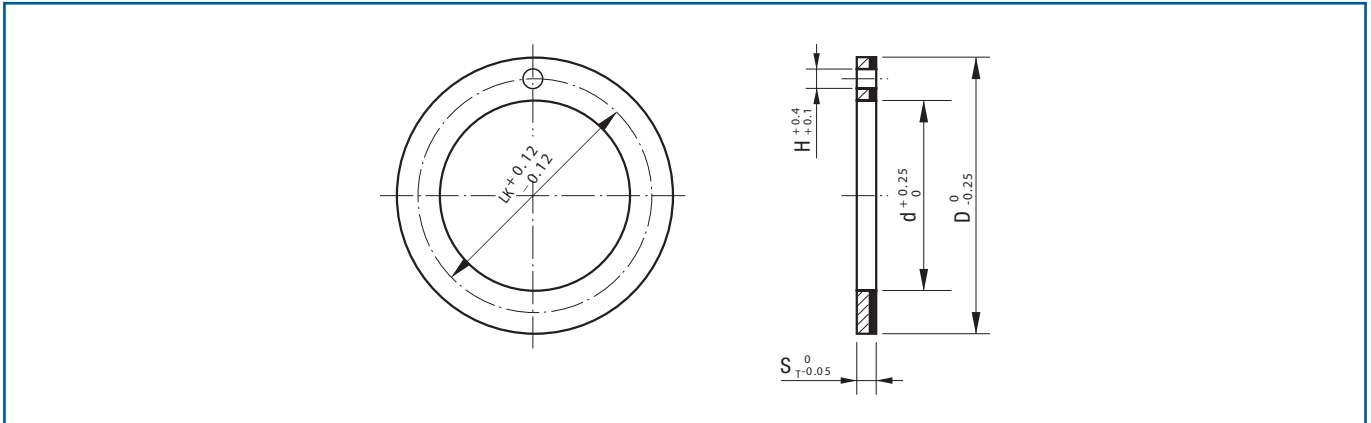


Technical data Dimensions

	d	D1	D2	L
NN-010F-0304	3	4,5	7	4
NN-010F-0405	4	5,5	9	5
NN-010F-0505	5	7	10	5
NN-010F-0604	6	8	12	4
NN-010F-0607	6	8	12	7
NN-010F-0608	6	8	12	8
NN-010F-0855	8	10	15	5,5
NN-010F-0806	8	10	15	6
NN-010F-0875	8	10	15	7,5
NN-010F-0808	8	10	15	8
NN-010F-08095	8	10	15	9,5
NN-010F-0810	8	10	15	10
NN-010F-1007	10	12	18	7
NN-010F-1009	10	12	18	9
NN-010F-1012	10	12	18	12
NN-010F-1017	10	12	18	17
NN-010F-1207	12	14	20	7
NN-010F-1209	12	14	20	9
NN-010F-1212	12	14	20	12
NN-010F-1217	12	14	20	17
NN-010F-1412	14	16	22	12
NN-010F-1417	14	16	22	17
NN-010F-1509	15	17	23	9
NN-010F-1512	15	17	23	12
NN-010F-1517	15	17	23	17

	d	D1	D2	L
NN-010F-1612	16	18	24	12
NN-010F-1617	16	18	24	17
NN-010F-1812	18	20	26	12
NN-010F-1817	18	20	26	17
NN-010F-1822	18	20	26	22
NN-010F-20115	20	23	30	11,5
NN-010F-20102	20	23	30	12
NN-010F-20105	20	23	30	15
NN-010F-20165	20	23	30	16,5
NN-010F-20107	20	23	30	17
NN-010F-20215	20	23	30	21,5
NN-010F-2022	20	23	30	22
NN-010F-25115	25	28	35	11,5
NN-010F-2512	25	28	35	12
NN-010F-25165	25	28	35	16,5
NN-010F-2517	25	28	35	17
NN-010F-25215	25	28	35	21,5
NN-010F-2522	25	28	35	22
NN-010F-3016	30	34	42	16
NN-010F-3026	30	34	42	26
NN-010F-3516	35	39	47	16
NN-010F-3526	35	39	47	26
NN-010F-4016	40	44	53	16
NN-010F-4026	40	44	53	26
NN-010F-4516	45	50	60	16
NN-010F-4525	45	50	60	26

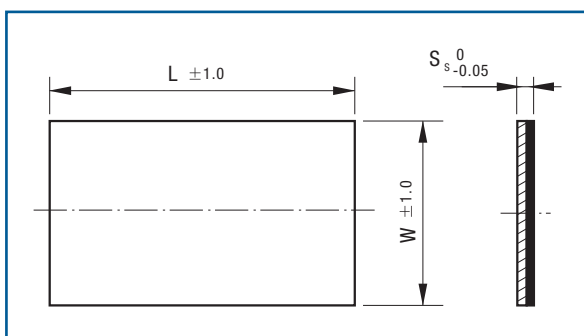
NN-010 W Thrust washers, self-lubricating, with steel back



Technical data Dimensions

	d	D	S	LK
NN-010W-10	10	20	1,5	15
NN-010W-12	12	24	1,5	18
NN-010W-14	14	26	1,5	20
NN-010W-16	16	30	1,5	22
NN-010W-18	18	32	1,5	25
NN-010W-20	20	36	1,5	28
NN-010W-22	22	38	1,5	30
NN-010W-26	26	44	1,5	35
NN-010W-28	28	48	1,5	38
NN-010W-32	32	54	1,5	43
NN-010W-38	38	62	1,5	50
NN-010W-42	42	66	1,5	54
NN-010W-48	48	74	2	61
NN-010W-52	52	78	2	65
NN-010W-62	62	90	2	76

NN-010 P Strips, self-lubricating, with steel back



	L	W	S
NN-010P-072190	500	200	0,72
NN-010P-099190	500	200	0,99
NN-010P-150240	500	254	1,5
NN-010P-198240	500	254	1,98
NN-010P-248240	500	254	2,48
NN-010P-304240	500	254	3,04



NN-011 Metal-plastic-composite Bz + sintered bronze + PTFE + Pb

Typical features

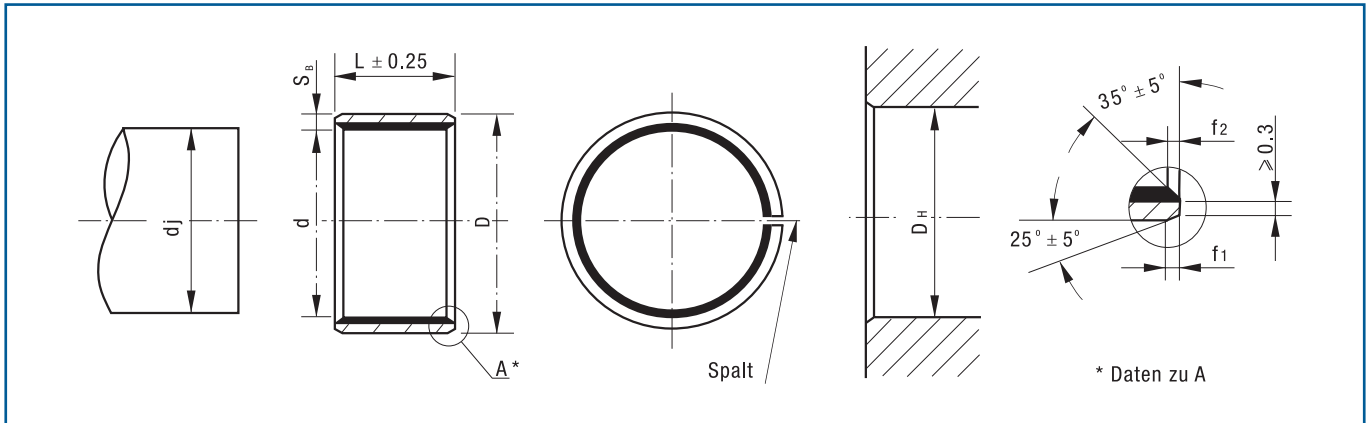
- Self-lubricating sliding material with very good wear and friction properties over a wide range of different loads, sliding speeds and temperatures
- Highly effective even with lubrication
- The bronze back has improved corrosion resistance and heat conductivity in comparison to NN-010
- Anti-magnetic



Technical data

	static	250 N/mm ²	Temperature	-200°C - +280°C
Max. load	dynamic	140 N/mm ²	Friction coefficient	0,02 ~ 0,20
Max. speed	dry	2,0 m/s	Heat conductivity	60 W/m * k
Max. PV value	short-term use	3,6 N/mm ² * m/s	Coefficient of thermal expansion	18*10 ⁻⁶ /K

NN-011 Bushes, cylindrical, self-lubricating, with bronze back



Technical data Dimensions

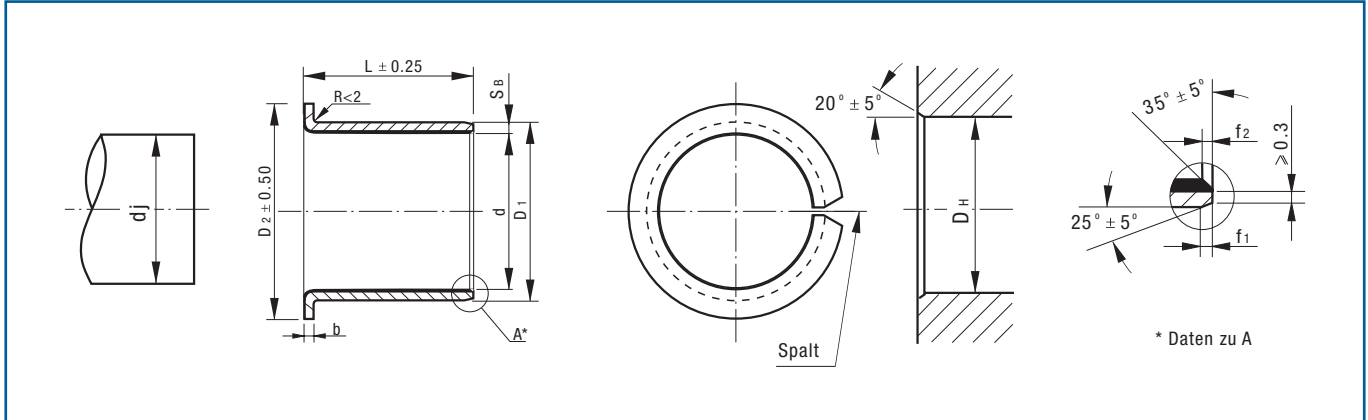
	d	D	L
NN-011-0203	2	3,5	3
NN-011-0205	2	3,5	3
NN-011-0306	3	4,5	6
NN-011-0404	4	5,5	4
NN-011-0406	4	5,5	6
NN-011-0505	5	7	5
NN-011-0510	5	7	10
NN-011-0606	6	8	6
NN-011-0610	6	8	10
NN-011-0808	8	10	8
NN-011-0810	8	10	10
NN-011-0812	8	10	12
NN-011-1010	10	12	10
NN-011-1015	10	12	15
NN-011-1208	12	14	8
NN-011-1210	12	14	10
NN-011-1212	12	14	12
NN-011-1215	12	14	15
NN-011-1410	14	16	10
NN-011-1415	14	16	15
NN-011-1420	14	16	20
NN-011-1515	15	17	15
NN-011-1525	15	17	25

	d	D	L
NN-011-1615	16	18	15
NN-011-1625	16	18	25
NN-011-1820	18	20	20
NN-011-1825	18	20	25
NN-011-2015	20	23	15
NN-011-2020	20	23	20
NN-011-2025	20	23	25
NN-011-2030	20	23	30
NN-011-2215	22	25	15
NN-011-2220	22	25	20
NN-011-2225	22	25	25
NN-011-2515	25	28	15
NN-011-2525	25	28	25
NN-011-2830	28	32	30
NN-011-3020	30	34	20
NN-011-3030	30	34	30
NN-011-3040	30	34	40
NN-011-3240	32	36	40
NN-011-3520	35	39	20
NN-011-3530	35	39	30
NN-011-4030	40	44	30
NN-011-4050	40	44	50
NN-011-4530	45	50	30

	d	D	L
NN-011-4550	45	50	50
NN-011-5040	50	55	40
NN-011-5060	50	55	60
NN-011-5540	55	60	40
NN-011-6040	60	65	40
NN-011-6050	60	65	50
NN-011-6060	60	65	60
NN-011-6070	60	65	70
NN-011-6570	65	70	70
NN-011-7050	70	75	50
NN-011-7070	70	75	70
NN-011-7580	75	80	80
NN-011-8060	80	85	60
NN-011-80100	80	85	100
NN-011-85100	85	90	100
NN-011-9060	90	95	60
NN-011-90100	90	95	100
NN-011-95100	95	100	100
NN-011-10060	100	105	60
NN-011-100115	100	105	115
NN-011-105115	105	110	115
NN-011-110115	110	115	115



NN-011 F Flange bushes, self-lubricating, with bronze back



Technical data Dimensions

	d	D1	D2	L
NN-011F-0304	3	4,5	7	4
NN-011F-0404	4	5,5	9	4
NN-011F-0505	5	7	10	5
NN-011F-0608	6	8	12	8
NN-011F-0806	8	10	15	5,5
NN-011F-0810	8	10	15	9,5
NN-011F-1007	10	12	18	7
NN-011F-1012	10	12	18	12
NN-011F-1207	12	14	20	7
NN-011F-1209	12	14	20	9
NN-011F-1212	12	14	20	12
NN-011F-1417	14	16	22	17
NN-011F-1512	15	17	23	12
NN-011F-1517	15	17	23	17
NN-011F-1612	16	18	24	12
NN-011F-1617	16	18	24	17
NN-011F-1812	18	20	26	12
NN-011F-1822	18	20	26	22
NN-011F-2012	20	23	30	11,5
NN-011F-2017	20	23	30	16,5
NN-011F-2512	25	28	35	11,5
NN-011F-2522	25	28	35	21,5
NN-011F-3016	30	34	42	16
NN-011F-3026	30	34	42	26
NN-011F-3526	35	39	47	26
NN-011F-4026	40	44	53	26
NN-011F-4526	45	50	58	26

NN-020 Metal-plastic-composite St + sintered bronze + POM with lubrication pockets

Typical features

- Low-maintenance sliding material for use in mixed-friction areas in grease- or oil-lubricated applications
- Standard parts include lubrication pockets in the running surface
- Optimal bearing performance with relatively high specific load and low sliding speed
- Suitable for linear, oscillating and rotating motions

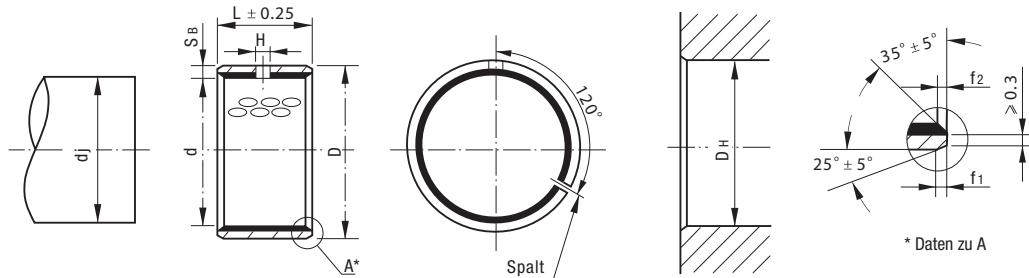


Technical data

	static	250 N/mm ²	Temperature	-40°C - +130°C
Max. load	dynamic	140 N/mm ²	Friction coefficient	0,02 ~ 0,20
Max. speed	dry	2,5 m/s	Heat conductivity	4 W/m * k
Max. PV value	short-term use	3,0 N/mm ² * m/s	Coefficient of thermal expansion	12*10 ⁻⁶ /K



NN-020 Bushes, cylindrical, low-maintenance, with copper-plated steel back



Technical data Dimensions

	d	D	L
NN-020-0808	8	10	8
NN-020-0810	8	10	10
NN-020-0812	8	10	12
NN-020-1010	10	12	10
NN-020-1012	10	12	12
NN-020-1015	10	12	15
NN-020-1020	10	12	20
NN-020-1210	12	14	10
NN-020-1212	12	14	12
NN-020-1215	12	14	15
NN-020-1220	12	14	20
NN-020-1225	12	14	25
NN-020-1415	14	16	15
NN-020-1420	14	16	20
NN-020-1425	14	16	25
NN-020-1510	15	17	10
NN-020-1512	15	17	12
NN-020-1515	15	17	15
NN-020-1525	15	17	25
NN-020-1615	16	18	15
NN-020-1620	16	18	20
NN-020-1625	16	18	25
NN-020-1815	18	20	15
NN-020-1820	18	20	20
NN-020-1825	18	20	25
NN-020-2010	20	23	10
NN-020-2015	20	23	15
NN-020-2020	20	23	20
NN-020-2025	20	23	25
NN-020-2030	20	23	30
NN-020-2215	22	25	15
NN-020-2220	22	25	20
NN-020-2225	22	25	25
NN-020-2230	22	25	30
NN-020-2425	24	27	25
NN-020-2430	24	27	30

	d	D	L
NN-020-2515	25	28	15
NN-020-2520	25	28	20
NN-020-2525	25	28	25
NN-020-2530	25	28	30
NN-020-2825	28	32	25
NN-020-2830	28	32	30
NN-020-3020	30	34	20
NN-020-3025	30	34	25
NN-020-3030	30	34	30
NN-020-3040	30	34	40
NN-020-3220	32	36	20
NN-020-3230	32	36	30
NN-020-3240	32	36	40
NN-020-3520	35	39	20
NN-020-3530	35	39	30
NN-020-3535	35	39	35
NN-020-3550	35	39	50
NN-020-4020	40	44	20
NN-020-4030	40	44	30
NN-020-4040	40	44	40
NN-020-4050	40	44	50
NN-020-4520	45	50	20
NN-020-4530	45	50	30
NN-020-4540	45	50	40
NN-020-4545	45	50	45
NN-020-4550	45	50	50
NN-020-5030	50	55	30
NN-020-5040	50	55	40
NN-020-5045	50	55	45
NN-020-5050	50	55	50
NN-020-5060	50	55	60
NN-020-5520	55	60	20
NN-020-5525	55	60	25
NN-020-5530	55	60	30
NN-020-5540	55	60	40
NN-020-5550	55	60	50

	d	D	L
NN-020-5560	55	60	60
NN-020-6030	60	65	30
NN-020-6040	60	65	40
NN-020-6050	60	65	50
NN-020-6060	60	65	60
NN-020-6070	60	65	70
NN-020-6540	65	70	40
NN-020-6560	65	70	60
NN-020-6570	65	70	70
NN-020-7040	70	75	40
NN-020-7050	70	75	50
NN-020-7060	70	75	60
NN-020-7065	70	75	65
NN-020-7070	70	75	70
NN-020-7080	70	75	80
NN-020-7540	75	80	40
NN-020-7560	75	80	60
NN-020-7580	75	80	80
NN-020-8040	80	85	40
NN-020-8050	80	85	50
NN-020-8060	80	85	60
NN-020-8080	80	85	80
NN-020-80100	80	85	100
NN-020-8540	85	90	40
NN-020-8560	85	90	60
NN-020-8580	85	90	80
NN-020-9040	90	95	40
NN-020-9060	90	95	60
NN-020-9080	90	95	80
NN-020-9090	90	95	90
NN-020-90100	90	95	100
NN-020-95100	95	100	100
NN-020-10050	100	105	50
NN-020-10060	100	105	60
NN-020-10080	100	105	80
NN-020-10095	100	105	95
NN-020-100115	100	105	115
NN-020-105110	105	110	110
NN-020-105115	105	110	115
NN-020-11060	110	115	60
NN-020-110110	110	115	110
NN-020-11550	115	120	50

NN-090 Bushes, cylindrical, low-maintenance, solid bronze CuSn8

Typical features

- Sliding materials made from solid bronze strip with lubrication pockets as a grease reservoir
- Good resistance to wear, also suitable for heavy-duty applications
- Optimally suited for high loads and low speeds

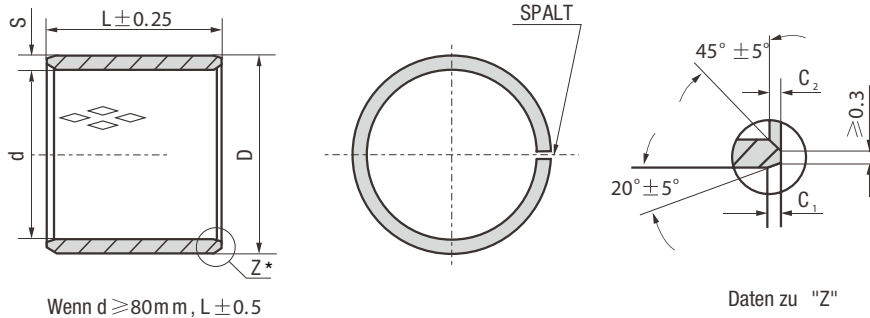


Technical data

	static	120 N/mm ²	Temperature	-100°C - +200°C
Max. load	dynamic	40 N/mm ²	Friction coefficient	0,08 ~ 0,25
Max. speed	dry	2,0 m/s	Heat conductivity	58 W/m * k
Max. PV value	short-term use	2,8 N/mm ² * m/s	Coefficient of thermal expansion	18,5*10 ⁻⁶ /K



NN-090 Bushes, cylindrical, low-maintenance, solid bronze CuSn8



Technical data Dimensions

	d	D	L
NN-090-1010	10	12	10
NN-090-1215	12	14	15
NN-090-1415	14	16	15
NN-090-1420	14	16	20
NN-090-1515	15	17	15
NN-090-1525	15	17	25
NN-090-1615	16	18	15
NN-090-1620	16	18	20
NN-090-1625	16	18	25
NN-090-1815	18	21*	15
NN-090-1820	18	21*	20
NN-090-1825	18	21*	25
NN-090-2015	20	23	15
NN-090-2020	20	23	20
NN-090-2025	20	23	25
NN-090-2030	20	23	30
NN-090-2215	22	25	15
NN-090-2230	22	25	30
NN-090-2515	25	28	15

	d	D	L
NN-090-2525	25	28	25
NN-090-2530	25	28	30
NN-090-2830	28	31*	30
NN-090-3020	30	34	20
NN-090-3030	30	34	30
NN-090-3040	30	34	40
NN-090-3220	32	36	20
NN-090-3230	32	36	30
NN-090-3240	32	36	40
NN-090-3520	35	39	20
NN-090-3530	35	39	30
NN-090-3540	35	39	40
NN-090-4020	40	44	20
NN-090-4030	40	44	30
NN-090-4040	40	44	40
NN-090-4050	40	44	50
NN-090-4530	45	50	30
NN-090-4550	45	50	50
NN-090-5030	50	55	40

	d	D	L
NN-090-5040	50	55	40
NN-090-5060	50	55	60
NN-090-5540	55	60	40
NN-090-5560	55	60	60
NN-090-6030	60	65	30
NN-090-6040	60	65	40
NN-090-6060	60	65	60
NN-090-6540	65	70	40
NN-090-7040	70	75	40
NN-090-7080	70	75	80
NN-090-7580	75	80	80
NN-090-8040	80	85	40
NN-090-8080	80	85	80
NN-090-9040	90	95	40
NN-090-9090	90	95	90
NN-090-10050	100	105	50
NN-090-10095	100	105	95

NN-06 Sintered bronze bushes, cylindrical (oil-soaked)

Typical features

- Similar to DIN 1850
- Low-maintenance slide bearings for applications in mechanical and precision engineering
- Optimal bearing performance with low specific load and high sliding speed

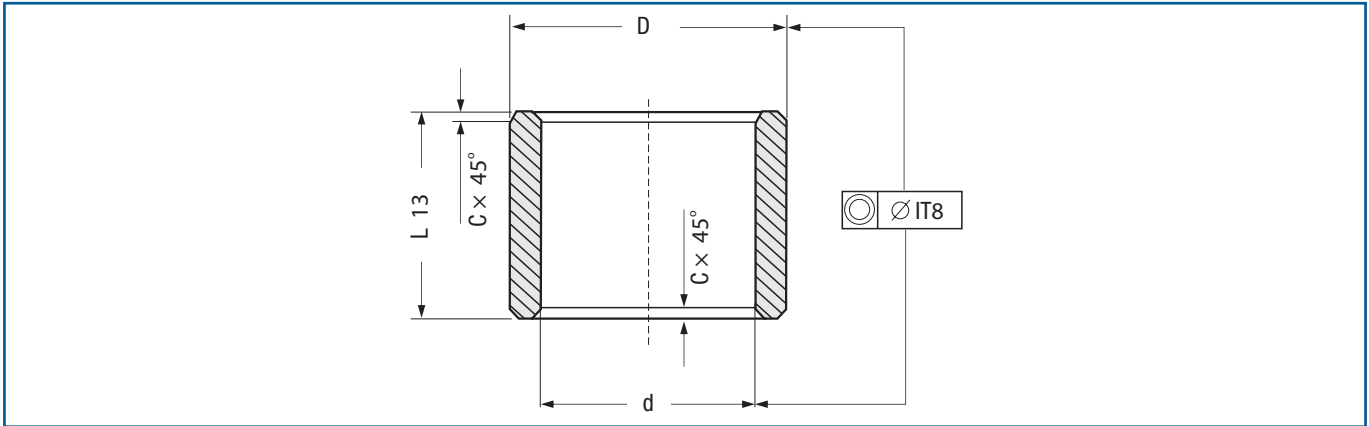


Technical data

Material	CuSn6-6-3
Temperature	-20°C - +100°C
Max. speed	2,5 m/s
Max. load capacity	150 N/mm ²
Max. PV value	2,45 N/mm*m/s



NN-06 Sintered bronze bushes, cylindrical (oil-soaked)



Technical data Dimensions

	d	D	L
NN-06-020502	2	5	2
NN-06-020503	2	5	3
NN-06-020504	2	5	4
NN-06-020506	2	5	6
NN-06-030603	3	6	3
NN-06-030604	3	6	4
NN-06-030605	3	6	5
NN-06-030606	3	6	6
NN-06-030607	3	6	7
NN-06-030610	3	6	10
NN-06-040605	4	6	5
NN-06-040608	4	6	8
NN-06-040610	4	6	10
NN-06-040703	4	7	3
NN-06-040704	4	7	4
NN-06-040706	4	7	6
NN-06-040708	4	7	8
NN-06-040712	4	7	12
NN-06-040804	4	8	4
NN-06-040805	4	8	5
NN-06-040806	4	8	6
NN-06-040808	4	8	8
NN-06-040810	4	8	10
NN-06-040812	4	8	12
NN-06-050804	5	8	4
NN-06-050805	5	8	5
NN-06-050808	5	8	8
NN-06-050810	5	8	10
NN-06-050812	5	8	12
NN-06-050815	5	8	15
NN-06-050816	5	8	16
NN-06-050904	5	9	4
NN-06-050905	5	9	5

	d	D	L
NN-06-050908	5	9	8
NN-06-050910	5	9	10
NN-06-051005	5	10	5
NN-06-051010	5	10	10
NN-06-051012	5	10	12
NN-06-051015	5	10	15
NN-06-060904	6	9	4
NN-06-060906	6	9	6
NN-06-060910	6	9	10
NN-06-060912	6	9	12
NN-06-060916	6	9	16
NN-06-061004	6	10	4
NN-06-061005	6	10	5
NN-06-061006	6	10	6
NN-06-061010	6	10	10
NN-06-061012	6	10	12
NN-06-061015	6	10	15
NN-06-061016	6	10	16
NN-06-061205	6	12	5
NN-06-061206	6	12	6
NN-06-061210	6	12	10
NN-06-061212	6	12	12
NN-06-061215	6	12	15
NN-06-061216	6	12	16
NN-06-071005	7	10	5
NN-06-071008	7	10	8
NN-06-071010	7	10	10
NN-06-071108	7	11	8
NN-06-071110	7	11	10
NN-06-081006	8	10	6
NN-06-081010	8	10	10
NN-06-081015	8	10	15
NN-06-081106	8	11	6

	d	D	L
NN-06-081108	8	11	8
NN-06-081112	8	11	12
NN-06-081116	8	11	16
NN-06-081120	8	11	20
NN-06-081206	8	12	6
NN-06-081208	8	12	8
NN-06-081210	8	12	10
NN-06-081212	8	12	12
NN-06-081215	8	12	15
NN-06-081216	8	12	16
NN-06-081220	8	12	20
NN-06-081408	8	14	8
NN-06-081410	8	14	10
NN-06-081412	8	14	12
NN-06-081415	8	14	15
NN-06-081416	8	14	16
NN-06-081420	8	14	20
NN-06-091206	9	12	6
NN-06-091210	9	12	10
NN-06-091214	9	12	14
NN-06-091406	9	14	6
NN-06-091410	9	14	10
NN-06-091412	9	14	12
NN-06-091414	9	14	14
NN-06-091415	9	14	15
NN-06-091420	9	14	20
NN-06-101310	10	13	10
NN-06-101312	10	13	12
NN-06-101315	10	13	15
NN-06-101316	10	13	16
NN-06-101320	10	13	20
NN-06-101325	10	13	25
NN-06-101408	10	14	8

NN-06 Sintered bronze bushes, cylindrical (oil-soaked)

	d	D	L
NN-06-101410	10	14	10
NN-06-101416	10	14	16
NN-06-101420	10	14	20
NN-06-101425	10	14	25
NN-06-101510	10	15	10
NN-06-101512	10	15	12
NN-06-101515	10	15	15
NN-06-101516	10	15	16
NN-06-101520	10	15	20
NN-06-101525	10	15	25
NN-06-101605	10	16	5
NN-06-101608	10	16	8
NN-06-101610	10	16	10
NN-06-101615	10	16	15
NN-06-101616	10	16	16
NN-06-101620	10	16	20
NN-06-101625	10	16	25
NN-06-101810	10	18	10
NN-06-101812	10	18	12
NN-06-101815	10	18	15
NN-06-101820	10	18	20
NN-06-101825	10	18	25
NN-06-121410	12	14	10
NN-06-121412	12	14	12
NN-06-121415	12	14	15
NN-06-121420	12	14	20
NN-06-121510	12	15	10
NN-06-121512	12	15	12
NN-06-121515	12	15	15
NN-06-121516	12	15	16
NN-06-121520	12	15	20
NN-06-121525	12	15	25
NN-06-121608	12	16	8
NN-06-121610	12	16	10
NN-06-121612	12	16	12
NN-06-121615	12	16	15
NN-06-121616	12	16	16
NN-06-121620	12	16	20
NN-06-121625	12	16	25
NN-06-121712	12	17	12
NN-06-121715	12	17	15
NN-06-121716	12	17	16
NN-06-121720	12	17	20
NN-06-121725	12	17	25
NN-06-121808	12	18	8
NN-06-121810	12	18	10
NN-06-121812	12	18	12
NN-06-121815	12	18	15
NN-06-121816	12	18	16
NN-06-121820	12	18	20
NN-06-121825	12	18	25
NN-06-121830	12	18	30

	d	D	L
NN-06-122012	12	20	12
NN-06-122015	12	20	15
NN-06-122020	12	20	20
NN-06-122025	12	20	25
NN-06-122030	12	20	30
NN-06-141810	14	18	10
NN-06-141814	14	18	14
NN-06-141815	14	18	15
NN-06-141818	14	18	18
NN-06-141820	14	18	20
NN-06-141822	14	18	22
NN-06-141825	14	18	25
NN-06-141828	14	18	28
NN-06-142010	14	20	10
NN-06-142014	14	20	14
NN-06-142015	14	20	15
NN-06-142018	14	20	18
NN-06-142020	14	20	20
NN-06-142022	14	20	22
NN-06-142025	14	20	25
NN-06-142028	14	20	28
NN-06-142030	14	20	30
NN-06-142215	14	22	15
NN-06-142220	14	22	20
NN-06-142225	14	22	25
NN-06-142230	14	22	30
NN-06-151815	15	18	15
NN-06-151820	15	18	20
NN-06-151825	15	18	25
NN-06-151830	15	18	30
NN-06-151910	15	19	10
NN-06-151915	15	19	15
NN-06-151916	15	19	16
NN-06-151920	15	19	20
NN-06-151925	15	19	25
NN-06-151930	15	19	30
NN-06-151932	15	19	32
NN-06-152015	15	20	15
NN-06-152020	15	20	20
NN-06-152025	15	20	25
NN-06-152030	15	20	30
NN-06-152115	15	21	15
NN-06-152116	15	21	16
NN-06-152120	15	21	20
NN-06-152125	15	21	25
NN-06-152132	15	21	32
NN-06-152216	15	22	16
NN-06-152220	15	22	20
NN-06-152225	15	22	25
NN-06-152230	15	22	30
NN-06-162012	16	20	12
NN-06-162015	16	20	15

	d	D	L
NN-06-162016	16	20	16
NN-06-162020	16	20	20
NN-06-162025	16	20	25
NN-06-162030	16	20	30
NN-06-162032	16	20	32
NN-06-162212	16	22	12
NN-06-162215	16	22	15
NN-06-162216	16	22	16
NN-06-162220	16	22	20
NN-06-162225	16	22	25
NN-06-162230	16	22	30
NN-06-162232	16	22	32
NN-06-162235	16	22	35
NN-06-172215	17	22	15
NN-06-172220	17	22	20
NN-06-172225	17	22	25
NN-06-172230	17	22	30
NN-06-172235	17	22	35
NN-06-182212	18	22	12
NN-06-182215	18	22	15
NN-06-182218	18	22	18
NN-06-182220	18	22	20
NN-06-182222	18	22	22
NN-06-182225	18	22	25
NN-06-182228	18	22	28
NN-06-182230	18	22	30
NN-06-182236	18	22	36
NN-06-182418	18	24	18
NN-06-182420	18	24	20
NN-06-182422	18	24	22
NN-06-182425	18	24	25
NN-06-182428	18	24	28
NN-06-182430	18	24	30
NN-06-182435	18	24	35
NN-06-182436	18	24	36
NN-06-182518	18	25	18
NN-06-182522	18	25	22
NN-06-182525	18	25	25
NN-06-182528	18	25	28
NN-06-182530	18	25	30
NN-06-182536	18	25	36
NN-06-202416	20	24	16
NN-06-202420	20	24	20
NN-06-202425	20	24	25
NN-06-202432	20	24	32
NN-06-202515	20	25	15
NN-06-202516	20	25	16
NN-06-202520	20	25	20
NN-06-202525	20	25	25
NN-06-202530	20	25	30
NN-06-202532	20	25	32
NN-06-202535	20	25	35



NN-06 Sintered bronze bushes, cylindrical (oil-soaked)

	d	D	L
NN-06-202615	20	26	15
NN-06-202616	20	26	16
NN-06-202620	20	26	20
NN-06-202625	20	26	25
NN-06-202630	20	26	30
NN-06-202632	20	26	32
NN-06-202635	20	26	35
NN-06-202640	20	26	40
NN-06-202716	20	27	16
NN-06-202720	20	27	20
NN-06-202725	20	27	25
NN-06-202732	20	27	32
NN-06-202816	20	28	16
NN-06-202820	20	28	20
NN-06-202825	20	28	25
NN-06-202830	20	28	30
NN-06-202832	20	28	32
NN-06-202840	20	28	40
NN-06-202850	20	28	50
NN-06-203020	20	30	20
NN-06-203025	20	30	25
NN-06-203030	20	30	30
NN-06-203035	20	30	35
NN-06-203040	20	30	40
NN-06-222715	22	27	15
NN-06-222718	22	27	18
NN-06-222720	22	27	20
NN-06-222722	22	27	22
NN-06-222725	22	27	25
NN-06-222728	22	27	28
NN-06-222730	22	27	30
NN-06-222735	22	27	35
NN-06-222736	22	27	36
NN-06-222740	22	27	40
NN-06-222815	22	28	15
NN-06-222818	22	28	18
NN-06-222820	22	28	20
NN-06-222822	22	28	22
NN-06-222825	22	28	25
NN-06-222828	22	28	28
NN-06-222830	22	28	30
NN-06-222835	22	28	35
NN-06-222836	22	28	36
NN-06-222840	22	28	40
NN-06-222918	22	29	18
NN-06-222922	22	29	22
NN-06-222928	22	29	28
NN-06-222936	22	29	36
NN-06-223220	22	32	20
NN-06-223250	22	32	50
NN-06-253020	25	30	20
NN-06-253025	25	30	25

	d	D	L
NN-06-253030	25	30	30
NN-06-253032	25	30	32
NN-06-253035	25	30	35
NN-06-253040	25	30	40
NN-06-253050	25	30	50
NN-06-253220	25	32	20
NN-06-253225	25	32	25
NN-06-253230	25	32	30
NN-06-253232	25	32	32
NN-06-253235	25	32	35
NN-06-253240	25	32	40
NN-06-253245	25	32	45
NN-06-253525	25	35	25
NN-06-253530	25	35	30
NN-06-253535	25	35	35
NN-06-253540	25	35	40
NN-06-253545	25	35	45
NN-06-253550	25	35	50
NN-06-283222	28	32	22
NN-06-283228	28	32	28
NN-06-283236	28	32	36
NN-06-283245	28	32	45
NN-06-283320	28	33	20
NN-06-283322	28	33	22
NN-06-283328	28	33	28
NN-06-283330	28	33	30
NN-06-283336	28	33	36
NN-06-283345	28	33	45
NN-06-283525	28	35	25
NN-06-283530	28	35	30
NN-06-283535	28	35	35
NN-06-283540	28	35	40
NN-06-253545	28	35	45
NN-06-253550	28	35	50
NN-06-283620	28	36	20
NN-06-283622	28	36	22
NN-06-283625	28	36	25
NN-06-283628	28	36	28
NN-06-283630	28	36	30
NN-06-283635	28	36	35
NN-06-283636	28	36	36
NN-06-283640	28	36	40
NN-06-283645	28	36	45
NN-06-283650	28	36	50
NN-06-303520	30	35	20
NN-06-303525	30	35	25
NN-06-303530	30	35	30
NN-06-303535	30	35	35
NN-06-303540	30	35	40
NN-06-303545	30	35	45
NN-06-303550	30	35	50
NN-06-303630	30	36	30

	d	D	L
NN-06-303635	30	36	35
NN-06-303640	30	36	40
NN-06-303645	30	36	45
NN-06-303650	30	36	50
NN-06-303820	30	38	20
NN-06-303824	30	38	24
NN-06-303825	30	38	25
NN-06-303830	30	38	30
NN-06-303835	30	38	35
NN-06-303838	30	38	38
NN-06-303840	30	38	40
NN-06-303845	30	38	45
NN-06-303850	30	38	50
NN-06-304020	30	40	20
NN-06-304025	30	40	25
NN-06-304030	30	40	30
NN-06-304035	30	40	35
NN-06-304040	30	40	40
NN-06-304045	30	40	45
NN-06-304050	30	40	50
NN-06-323820	32	38	20
NN-06-323825	32	38	25
NN-06-323830	32	38	30
NN-06-323832	32	38	32
NN-06-323840	32	38	40
NN-06-323850	32	38	50
NN-06-324020	32	40	20
NN-06-324025	32	40	25
NN-06-324030	32	40	30
NN-06-324032	32	40	32
NN-06-324035	32	40	35
NN-06-324040	32	40	40
NN-06-324045	32	40	45
NN-06-324050	32	40	50
NN-06-354020	35	40	20
NN-06-354025	35	40	25
NN-06-354030	35	40	30
NN-06-354035	35	40	35
NN-06-354040	35	40	40
NN-06-354045	35	40	45
NN-06-354050	35	40	50
NN-06-354125	35	41	25
NN-06-354135	35	41	35
NN-06-354140	35	41	40
NN-06-354422	35	44	22
NN-06-354428	35	44	28
NN-06-354435	35	44	35
NN-06-354525	35	45	25
NN-06-354530	35	45	30
NN-06-354535	35	45	35
NN-06-354540	35	45	40
NN-06-354545	35	45	45

NN-06 Sintered bronze bushes, cylindrical (oil-soaked)

	d	D	L
NN-06-354550	35	45	50
NN-06-354560	35	45	60
NN-06-364222	36	42	22
NN-06-364228	36	42	28
NN-06-364236	36	42	36
NN-06-364245	36	42	45
NN-06-364522	36	45	22
NN-06-364528	36	45	28
NN-06-364536	36	45	36
NN-06-364545	36	45	45
NN-06-384425	38	44	25
NN-06-384435	38	44	35
NN-06-384445	38	44	45
NN-06-384835	38	48	35
NN-06-384845	38	48	45
NN-06-384855	38	48	55
NN-06-404535	40	45	35
NN-06-404540	40	45	40
NN-06-404545	40	45	45
NN-06-404550	40	45	50
NN-06-404625	40	46	25
NN-06-404630	40	46	30
NN-06-404632	40	46	32
NN-06-404640	40	46	40
NN-06-404650	40	46	50
NN-06-405025	40	50	25
NN-06-405030	40	50	30
NN-06-405032	40	50	32
NN-06-405035	40	50	35
NN-06-405040	40	50	40
NN-06-405045	40	50	45
NN-06-405050	40	50	50
NN-06-405060	40	50	60
NN-06-424840	42	48	40

	d	D	L
NN-06-424850	42	48	50
NN-06-425240	42	52	40
NN-06-425250	42	52	50
NN-06-455128	45	51	28
NN-06-455135	45	51	35
NN-06-455136	45	51	36
NN-06-455145	45	51	45
NN-06-455155	45	51	55
NN-06-455156	45	51	56
NN-06-455530	45	55	30
NN-06-455535	45	55	35
NN-06-455540	45	55	40
NN-06-455545	45	55	45
NN-06-455550	45	55	50
NN-06-455560	45	55	60
NN-06-455565	45	55	65
NN-06-455628	45	56	28
NN-06-455635	45	56	35
NN-06-455636	45	56	36
NN-06-455645	45	56	45
NN-06-455656	45	56	56
NN-06-456040	45	60	40
NN-06-456045	45	60	45
NN-06-456050	45	60	50
NN-06-456060	45	60	60
NN-06-485550	48	55	50
NN-06-485850	48	58	50
NN-06-505632	50	56	32
NN-06-505640	50	56	40
NN-06-505650	50	56	50
NN-06-505663	50	56	63
NN-06-506030	50	60	30
NN-06-506032	50	60	32
NN-06-506035	50	60	35

	d	D	L
NN-06-506040	50	60	40
NN-06-506045	50	60	45
NN-06-506050	50	60	50
NN-06-506060	50	60	60
NN-06-506063	50	60	63
NN-06-506070	50	60	70
NN-06-506075	50	60	75
NN-06-556340	55	63	40
NN-06-556355	55	63	55
NN-06-556540	55	65	40
NN-06-556555	55	65	55
NN-06-556570	55	65	70
NN-06-606850	60	68	50
NN-06-606860	60	68	60
NN-06-607050	60	70	50
NN-06-607060	60	70	60
NN-06-607090	60	70	90
NN-06-6070120	60	70	120
NN-06-607250	60	72	50
NN-06-607260	60	72	60
NN-06-607270	60	72	70
NN-06-608090	60	80	90
NN-06-6080120	60	80	120
NN-06-637040	63	70	40
NN-06-637050	63	70	50
NN-06-708090	70	80	90
NN-06-7080120	70	80	120
NN-06-8010080	80	100	80
NN-06-80100120	80	100	120
NN-06-10012080	100	120	80
NN-06-100120120	100	120	120
NN-06-110125120	110	125	120
NN-06-125150120	125	150	120



NN-06F Sintered bronze flange bushes, self-lubricating (oil-soaked)

Typical features

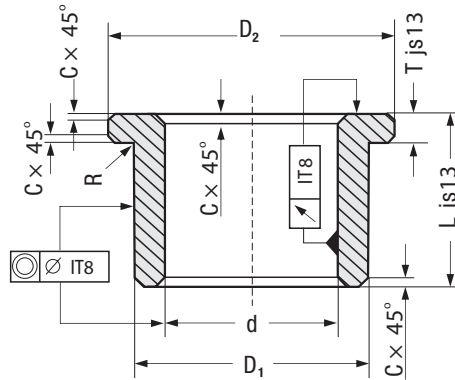
- Similar to DIN 1850
- Low-maintenance slide bearings for applications in mechanical and precision engineering
- Optimal bearing performance with low specific load and high sliding speed



Technical data

Material	CuSn6-6-3
Temperature	-20°C - +100°C
Max. speed	2,5 m/s
Max. load capacity	150 N/mm ²
Max. PV value	2,45 N/mm*m/s

NN-06F Sintered bronze flange bushes, self-lubricating (oil-soaked)



Technical data

Dimensions

	d	D1	D2	L	BS
NN-06F-0205080315	2	5	8	3	1.5
NN-06F-0306090415	3	6	9	4	1.5
NN-06F-0306090515	3	6	9	5	1.5
NN-06F-0306090615	3	6	9	6	1.5
NN-06F-0306091015	3	6	9	10	1.5
NN-06F-040806101	4	8	6	10	1.0
NN-06F-040812032	4	8	12	3	2.0
NN-06F-040812042	4	8	12	4	2.0
NN-06F-040812052	4	8	12	5	2.0
NN-06F-040812062	4	8	12	6	2.0
NN-06F-040812082	4	8	12	8	2.0
NN-06F-040812102	4	8	12	10	2.0
NN-06F-040812122	4	8	12	12	2.0
NN-06F-050913042	5	9	13	4	2.0
NN-06F-050913052	5	9	13	5	2.0
NN-06F-050913082	5	9	13	8	2.0
NN-06F-061014042	6	10	14	4	2.0
NN-06F-061014052	6	10	14	5	2.0
NN-06F-061014062	6	10	14	6	2.0
NN-06F-061014102	6	10	14	10	2.0
NN-06F-061014122	6	10	14	12	2.0
NN-06F-061014152	6	10	14	15	2.0
NN-06F-061015142	6	10	14	15	2.0
NN-06F-071115052	7	11	15	5	2.0
NN-06F-071115082	7	11	15	8	2.0
NN-06F-071115102	7	11	15	10	2.0
NN-06F-081216062	8	12	16	6	2.0
NN-06F-081216082	8	12	16	8	2.0
NN-06F-081216102	8	12	16	10	2.0
NN-06F-081216122	8	12	16	12	2.0
NN-06F-081216152	8	12	16	15	2.0
NN-06F-081216162	8	12	16	16	2.0
NN-06F-081216202	8	12	16	20	2.0
NN-06F-0914190625	9	14	19	6	2.5
NN-06F-0914191025	9	14	19	10	2.5
NN-06F-0914141925	9	14	19	14	2.5
NN-06F-1013171025	10	13	17	10	2.5
NN-06F-1013171625	10	13	17	16	2.5

	d	D1	D2	L	BS
NN-06F-1013172025	10	12	17	20	2.5
NN-06F-101418102	10	14	18	10	2.0
NN-06F-101418152	10	14	18	15	2.0
NN-06F-101418202	10	14	18	20	2.0
NN-06F-101521083	10	15	21	8	3.0
NN-06F-101521103	10	15	21	10	3.0
NN-06F-101521153	10	15	21	15	3.0
NN-06F-101521163	10	15	21	16	3.0
NN-06F-101521203	10	15	21	20	3.0
NN-06F-101620103	10	16	20	10	3.0
NN-06F-101622083	10	16	22	8	3.0
NN-06F-101622103	10	16	22	10	3.0
NN-06F-101622163	10	16	22	16	3.0
NN-06F-121521123	12	15	21	12	3.0
NN-06F-121521163	12	15	21	16	3.0
NN-06F-121521203	12	15	21	20	3.0
NN-06F-121618202	12	16	18	20	2.0
NN-06F-121722123	12	17	22	12	3.0
NN-06F-121723123	12	17	23	12	3.0
NN-06F-121723163	12	17	23	16	3.0
NN-06F-121723203	12	17	23	20	3.0
NN-06F-121723253	12	17	23	25	3.0
NN-06F-121822124	12	18	22	12	4.0
NN-06F-121824083	12	18	24	8	3.0
NN-06F-121824123	12	18	24	12	3.0
NN-06F-121824203	12	18	24	20	3.0
NN-06F-141822143	14	18	22	14	3.0
NN-06F-141822183	14	18	22	18	3.0
NN-06F-141822223	14	18	22	22	3.0
NN-06F-142026103	14	20	26	10	3.0
NN-06F-142026143	14	20	26	14	3.0
NN-06F-142026153	14	20	26	15	3.0
NN-06F-142026183	14	20	26	18	3.0
NN-06F-142026203	14	20	26	20	3.0
NN-06F-142026223	14	20	26	22	3.0
NN-06F-142026283	14	20	26	28	3.0
NN-06F-151923252	15	19	23	25	2.0
NN-06F-151925163	15	19	25	16	3.0

	d	D1	D2	L	BS
NN-06F-151925203	15	19	25	20	3.0
NN-06F-151925253	15	19	25	25	3.0
NN-06F-152025153	15	20	25	15	3.0
NN-06F-152025203	15	20	25	20	3.0
NN-06F-152025253	15	20	25	25	3.0
NN-06F-152025303	15	20	25	30	3.0
NN-06F-152126165	15	21	26	16	5.0
NN-06F-152127103	15	21	27	10	3.0
NN-06F-152127153	15	21	27	15	3.0
NN-06F-152127163	15	21	27	16	3.0
NN-06F-152127203	15	21	27	20	3.0
NN-06F-152127253	15	21	27	25	3.0
NN-06F-152127323	15	21	27	32	3.0
NN-06F-152228123	15	22	28	12	3.0
NN-06F-152228163	15	22	28	16	3.0
NN-06F-162024202	16	20	24	20	2.0
NN-06F-162024252	16	20	24	25	2.0
NN-06F-162027163	16	20	27	16	3.0
NN-06F-162027203	16	20	27	20	3.0
NN-06F-162027253	16	20	27	25	3.0
NN-06F-162228123	16	22	28	12	3.0
NN-06F-162228153	16	22	28	15	3.0
NN-06F-162228163	16	22	28	16	3.0
NN-06F-162228203	16	22	28	20	3.0
NN-06F-162228253	16	22	28	25	3.0
NN-06F-162228303	16	22	28	30	3.0
NN-06F-162228323	16	22	28	32	3.0
NN-06F-182226182	18	22	26	18	2.0
NN-06F-182226222	18	22	26	22	2.0
NN-06F-182226282	18	22	26	28	2.0
NN-06F-182430123	18	24	30	12	3.0
NN-06F-182430183	18	24	30	18	3.0
NN-06F-182430223	18	24	30	22	3.0
NN-06F-182430283	18	24	30	28	3.0
NN-06F-182430303	18	24	30	30	3.0
NN-06F-182532204	18	25	32	20	4.0
NN-06F-182532254	18	25	32	25	4.0
NN-06F-182532304	18	25	32	30	4.0



NN-06F Sintered bronze flange bushes, self-lubricating (oil-soaked)

	d	D1	D2	L	BS
NN-06F-182532354	18	25	32	35	4.0
NN-06F-202428162	20	24	28	16	2.0
NN-06F-202430163	20	24	30	16	3.0
NN-06F-202430203	20	24	30	20	3.0
NN-06F-202430253	20	24	30	25	3.0
NN-06F-202632153	20	26	32	15	3.0
NN-06F-202632163	20	26	32	16	3.0
NN-06F-202632203	20	26	32	20	3.0
NN-06F-202632253	20	26	32	25	3.0
NN-06F-202632303	20	26	32	30	3.0
NN-06F-202632323	20	26	32	32	3.0
NN-06F-202632205	20	26	32	20	5.0
NN-06F-202835204	20	28	35	20	4.0
NN-06F-202835254	20	28	35	25	4.0
NN-06F-202835304	20	28	35	30	4.0
NN-06F-202835354	20	28	35	35	4.0
NN-06F-2227321825	22	27	32	18	2.5
NN-06F-2227322225	22	27	32	22	2.5
NN-06F-2227322825	22	27	32	28	2.5
NN-06F-222834153	22	28	34	15	3.0
NN-06F-222834203	22	28	34	20	3.0
NN-06F-222834253	22	28	34	25	3.0
NN-06F-222834303	22	28	34	30	3.0
NN-06F-2229361835	22	29	36	18	3.5
NN-06F-2229362235	22	29	36	22	3.5
NN-06F-2229362835	22	29	36	28	3.5
NN-06F-2229363635	22	29	36	36	3.5
NN-06F-2530392035	25	30	39	20	3.5
NN-06F-2530392535	25	30	39	25	3.5
NN-06F-2530393235	25	30	39	32	3.5
NN-06F-2532392035	25	32	39	20	3.5
NN-06F-2532392535	25	32	39	25	3.5
NN-06F-2532393035	25	32	39	30	3.5
NN-06F-2532393235	25	32	39	32	3.5

	d	D1	D2	L	BS
NN-06F-253545165	25	35	45	16	5.0
NN-06F-253545255	25	35	45	25	5.0
NN-06F-2833382225	28	33	38	22	2.5
NN-06F-2833382825	28	33	38	28	2.5
NN-06F-2833383625	28	33	38	36	2.5
NN-06F-283644204	28	36	44	20	4.0
NN-06F-283644224	28	36	44	22	4.0
NN-06F-283644254	28	36	44	25	4.0
NN-06F-283644284	28	36	44	28	4.0
NN-06F-283644304	28	36	44	30	4.0
NN-06F-283644354	28	36	44	35	4.0
NN-06F-283644364	28	36	44	36	4.0
NN-06F-283644404	28	36	44	40	4.0
NN-06F-303846204	30	38	46	20	4.0
NN-06F-303846254	30	38	46	25	4.0
NN-06F-303846304	30	38	46	30	4.0
NN-06F-304048254	30	40	48	25	4.0
NN-06F-304048304	30	40	48	30	4.0
NN-06F-304048354	30	40	48	35	4.0
NN-06F-304048404	30	40	48	40	4.0
NN-06F-304050205	30	40	50	20	5.0
NN-06F-304050305	30	40	50	30	5.0
NN-06F-323846204	32	38	46	20	4.0
NN-06F-323846254	32	38	46	25	4.0
NN-06F-323846324	32	38	46	32	4.0
NN-06F-324048204	32	40	48	20	4.0
NN-06F-324048254	32	40	48	25	4.0
NN-06F-324048284	32	40	48	28	4.0
NN-06F-324048304	32	40	48	30	4.0
NN-06F-324048324	32	40	48	32	4.0
NN-06F-324048354	32	40	48	35	4.0
NN-06F-324036484	32	40	48	36	4.0
NN-06F-324048404	32	40	48	40	4.0
NN-06F-354555255	35	45	55	25	5.0

	d	D1	D2	L	BS
NN-06F-354555305	35	45	55	30	5.0
NN-06F-354555355	35	45	55	35	5.0
NN-06F-354555405	35	45	55	40	5.0
NN-06F-3645482245	36	45	48	22	4.5
NN-06F-384858255	38	48	58	25	5.0
NN-06F-384858355	38	48	58	35	5.0
NN-06F-404656255	40	46	56	25	5.0
NN-06F-404656325	40	46	56	32	5.0
NN-06F-404656405	40	46	56	40	5.0
NN-06F-405060255	40	50	60	25	5.0
NN-06F-405060305	40	50	60	30	5.0
NN-06F-405060325	40	50	60	32	5.0
NN-06F-405060355	40	50	60	35	5.0
NN-06F-405060405	40	50	60	40	5.0
NN-06F-405060505	40	50	60	50	5.0
NN-06F-425262305	42	52	62	30	5.0
NN-06F-425262405	42	52	62	40	5.0
NN-06F-425262505	42	52	62	50	5.0
NN-06F-455157283	45	51	57	28	3.0
NN-06F-455157363	45	51	57	36	3.0
NN-06F-455157453	45	51	57	45	3.0
NN-06F-455565355	45	55	65	35	5.0
NN-06F-455565455	45	55	65	45	5.0
NN-06F-455565555	45	55	65	55	5.0
NN-06F-4556672855	45	56	67	28	5.5
NN-06F-4556673655	45	56	67	36	5.5
NN-06F-4556674555	45	56	67	45	5.5
NN-06F-505662323	50	56	62	32	3.0
NN-06F-505662403	50	56	62	40	3.0
NN-06F-505662503	50	56	62	50	3.0
NN-06F-506070325	50	60	70	32	5.0
NN-06F-506070405	50	60	70	40	5.0
NN-06F-506070505	50	60	70	50	5.0
NN-06F-607080505	60	70	80	50	5.0
NN-06F-607080605	60	70	80	60	5.0



NÖLLE + NORDHORN



...FOR PROFESSIONAL SOLUTIONS...



**NÖLLE +
NORDHORN**

YOUR SUPPLIER FOR BUSHING TECHNOLOGY

www.noelle-nordhorn.de

Carl-Bertelsmann-Str. 56 · D-33332 Gütersloh · Phone 0049 52 41 86 06-0 · Fax 0049 52 41 86 06-86